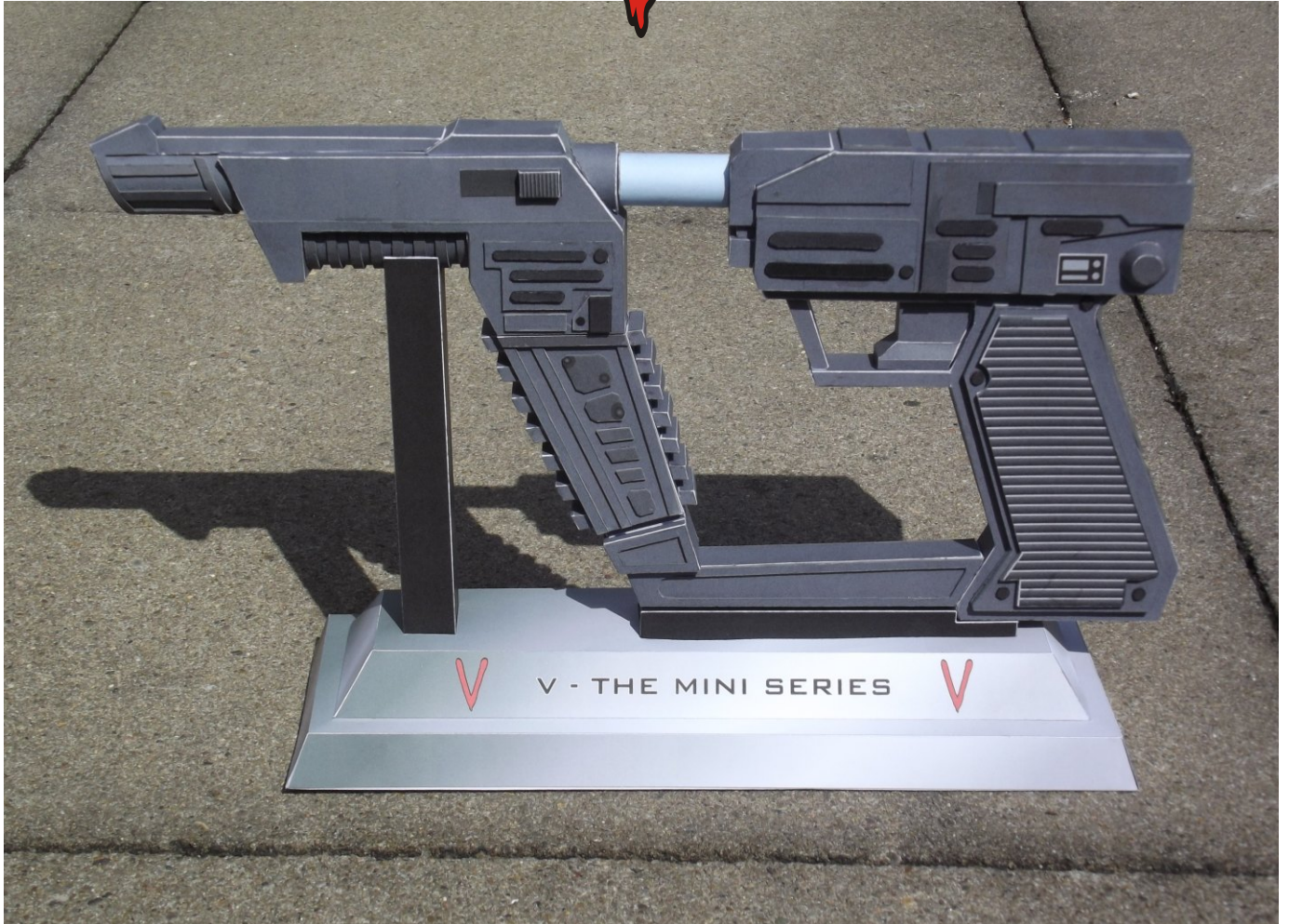


# VISITOR BLASTER



This cardmodel is free. It is a non-profit fan project and for personal use only. No commercial use.

“V” ©, (R) and TM Warner Bros. No infringement intended.

Paper model created by Marcell “Revell-Fan” von dem Berge in association with Chris “Rhaven Black” Tucker.

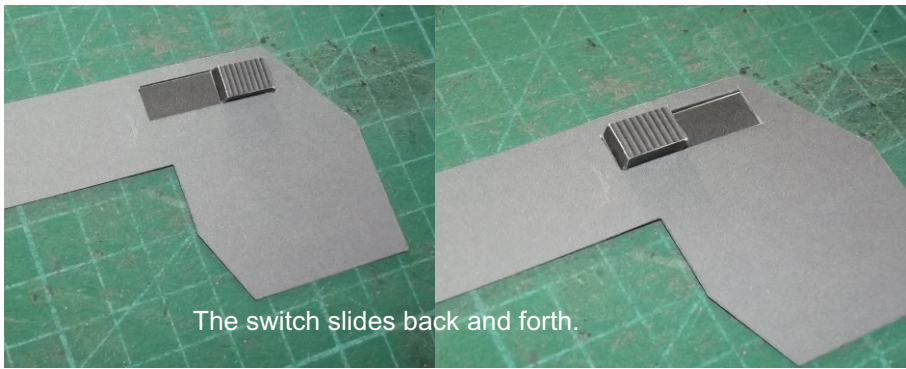
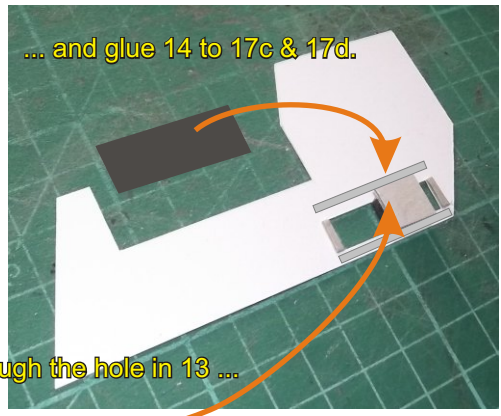
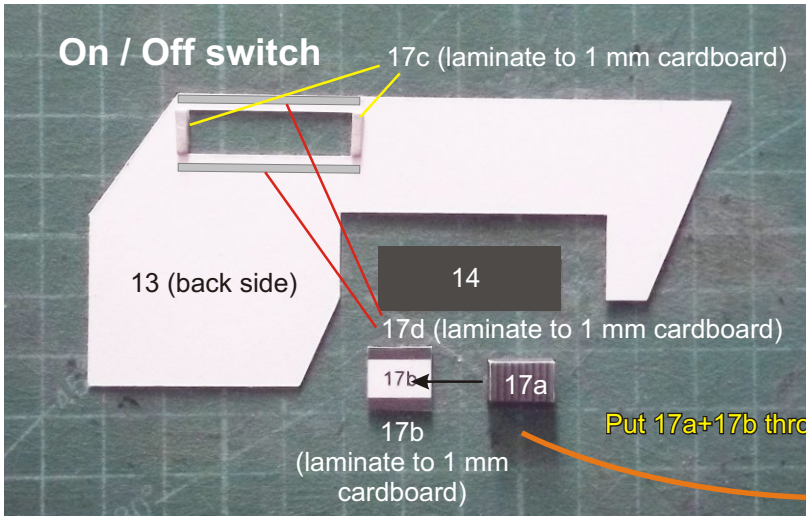
Some pictures show the first prototype model which differs from the final product in some respects (colour). The available plans provide the accurized parts to make the model look like the prop used on screen. Cut out only areas marked with a “✂”.

Please post pictures of your builds on [www.zealot.com](http://www.zealot.com) or send them to [gal78@hotmail.de](mailto:gal78@hotmail.de) (please refer to “model pics” or your mail will be regarded as spam).

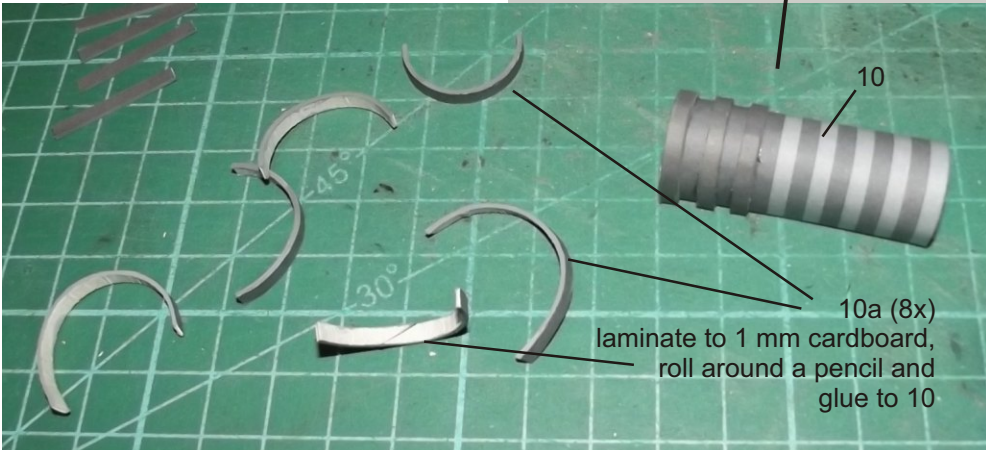
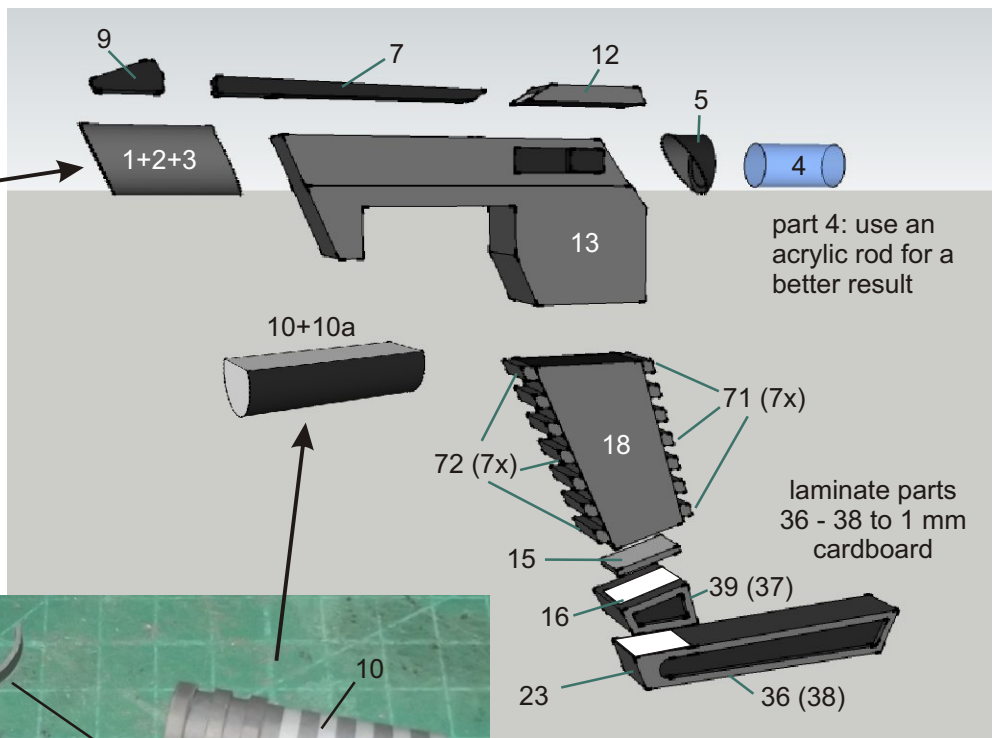
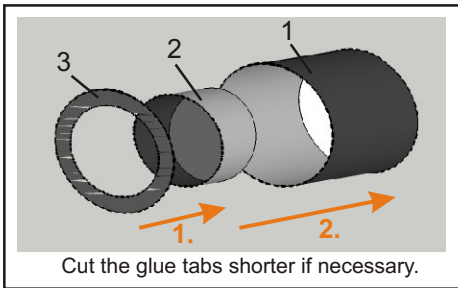
Have fun and enjoy!

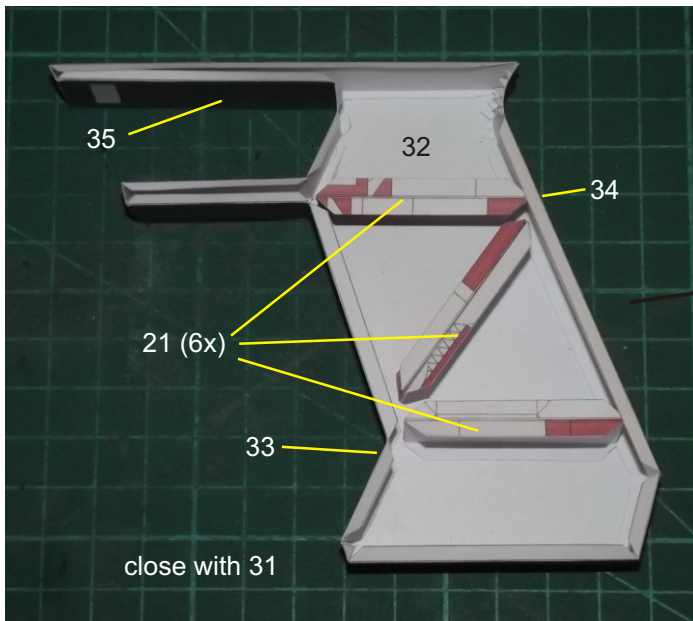
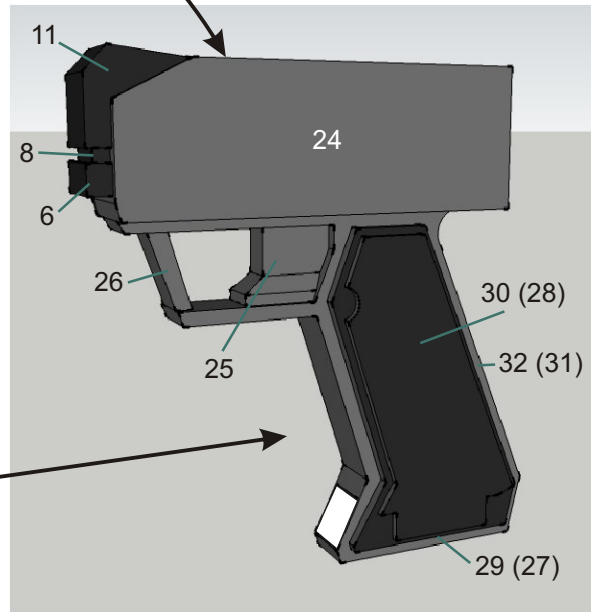
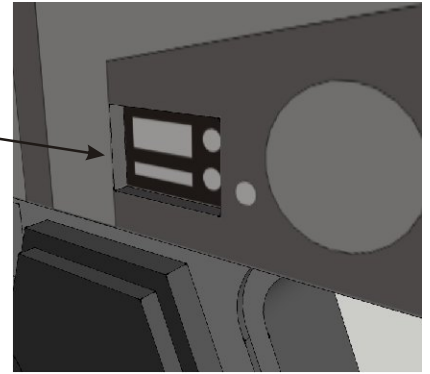
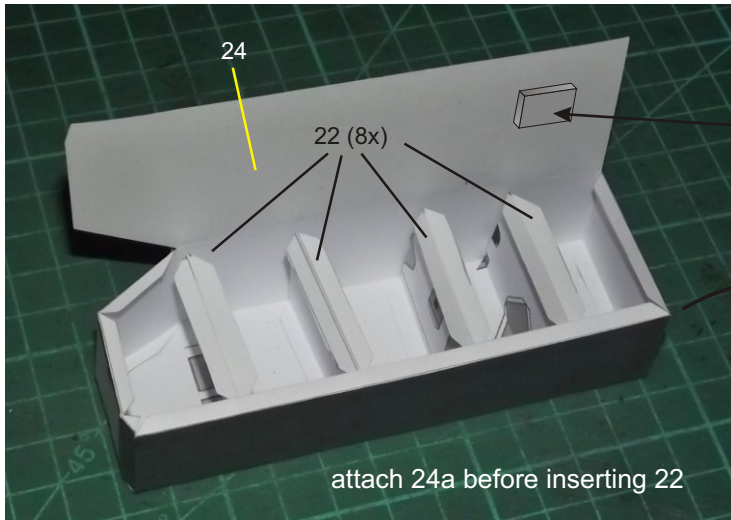


12/2012

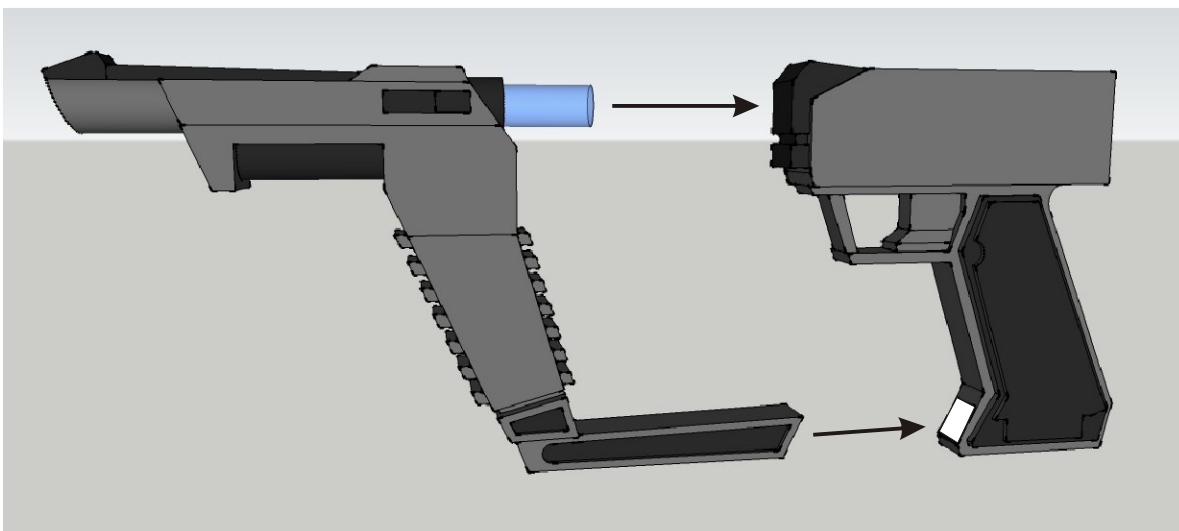


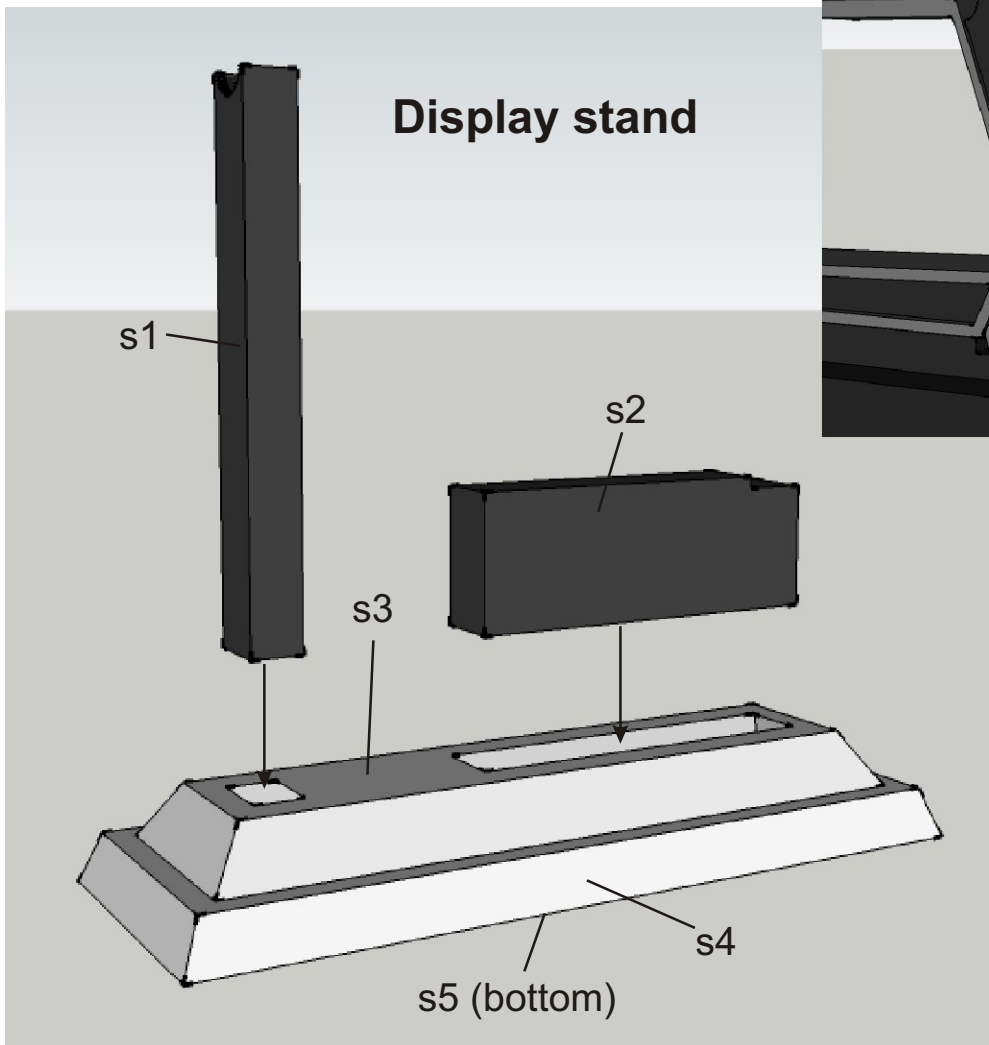
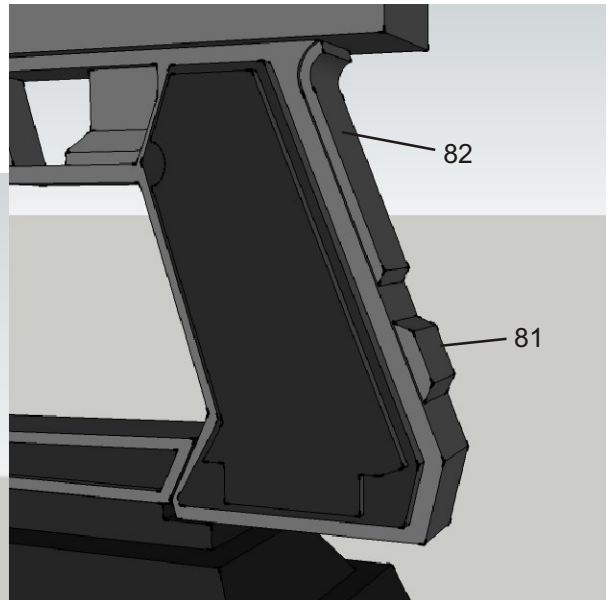
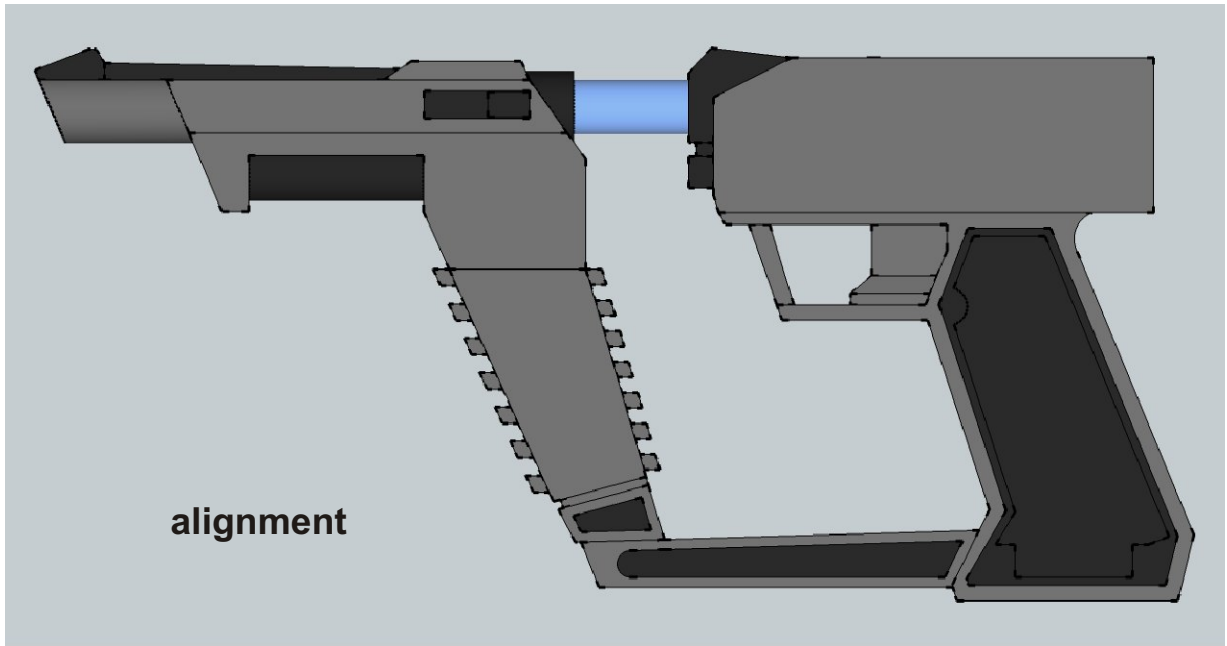
## Assembly

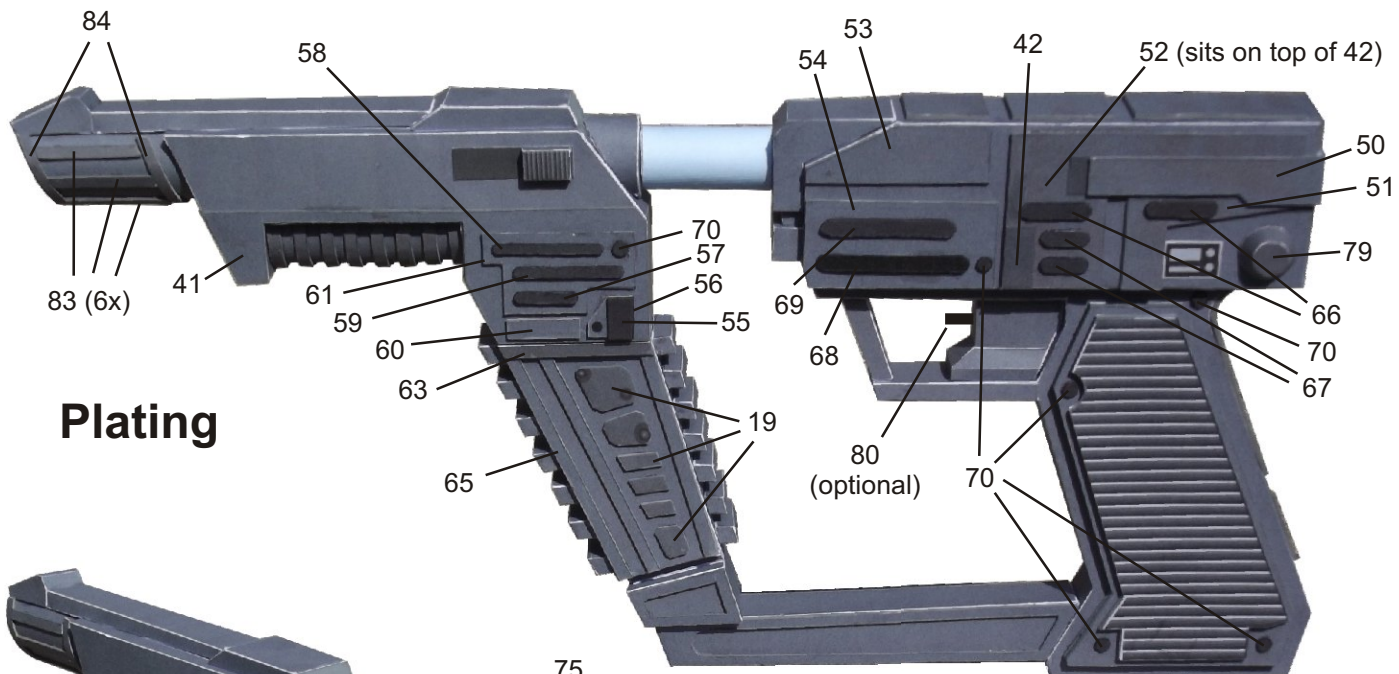




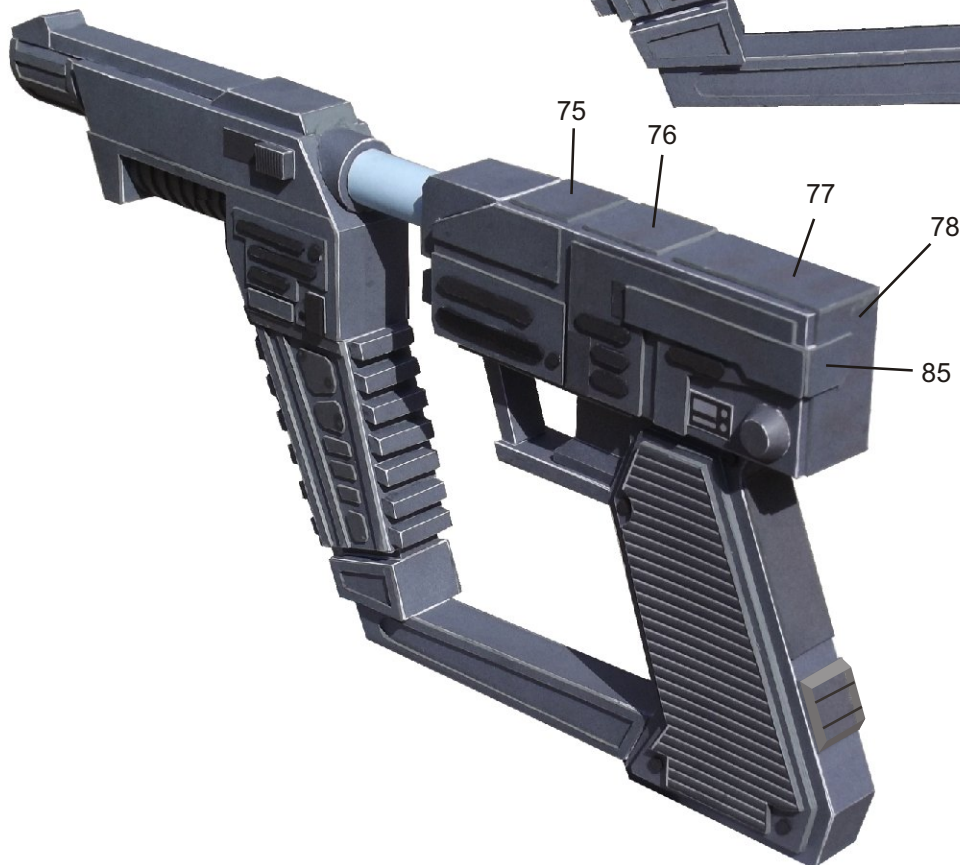
Laminate parts 27 & 29 to 2.5 mm cardboard and parts 28 & 30 to 1.5 mm cardboard.







## Plating



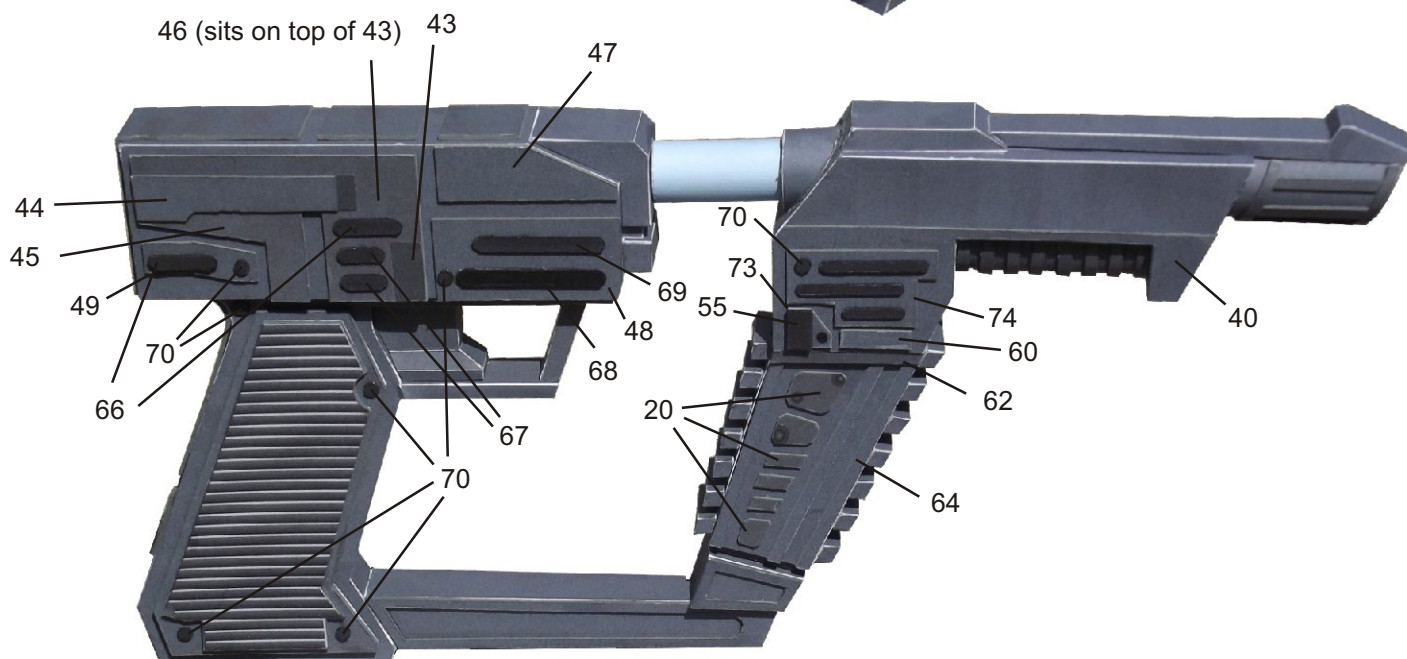
Take your time and cut out and attach one plate at a time in order not to confuse anything.

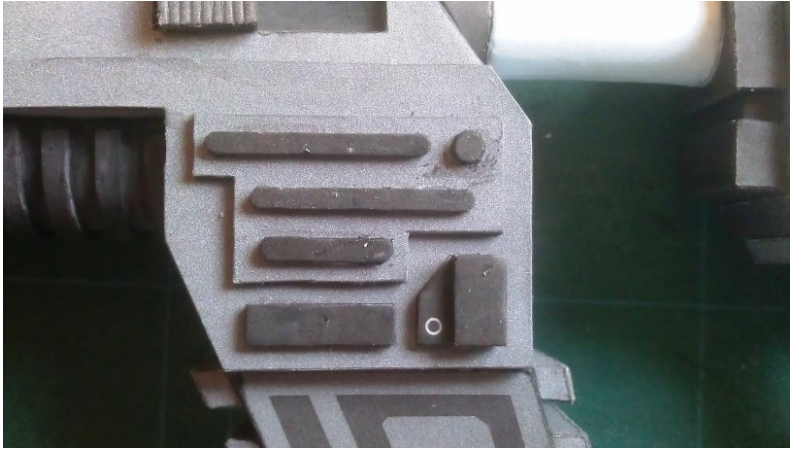
Use the markings on the parts to see where the plates are to be attached.

Laminate the following parts to 1 mm cardboard: 19, 20, 40 - 59, 62 - 70, 73, 75-78, 83 - 85.

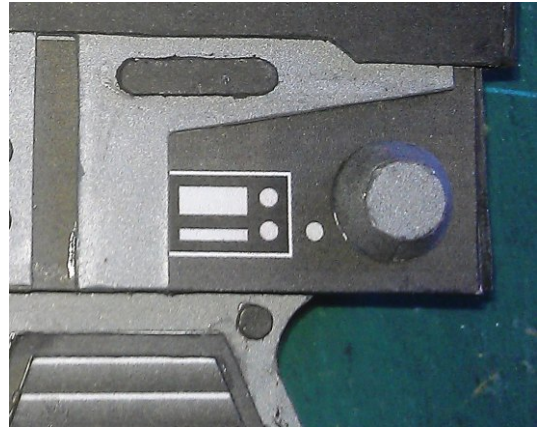
Laminate the following parts to 2 mm cardboard: 60, 61, 74.

Paint the edges of the laminated parts and the edges of the assembled model for a better result.



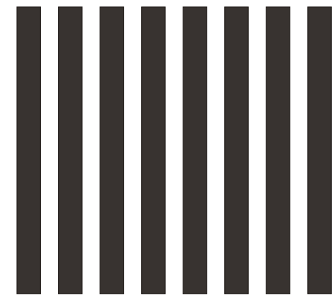
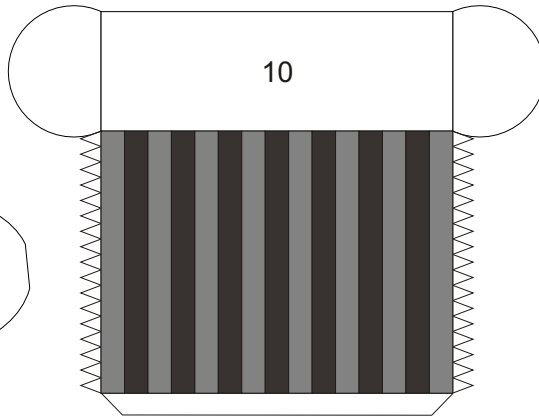
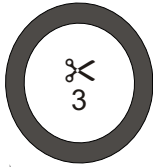
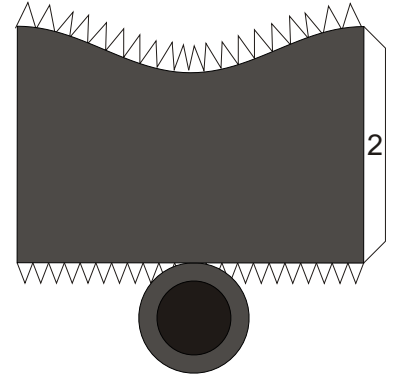
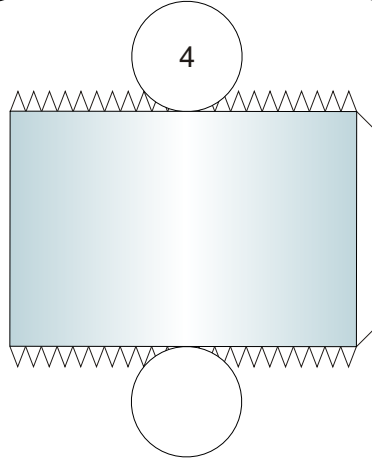
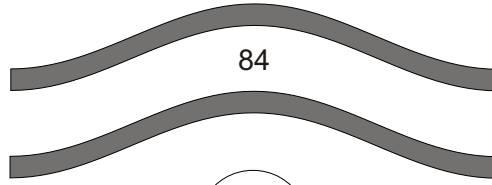
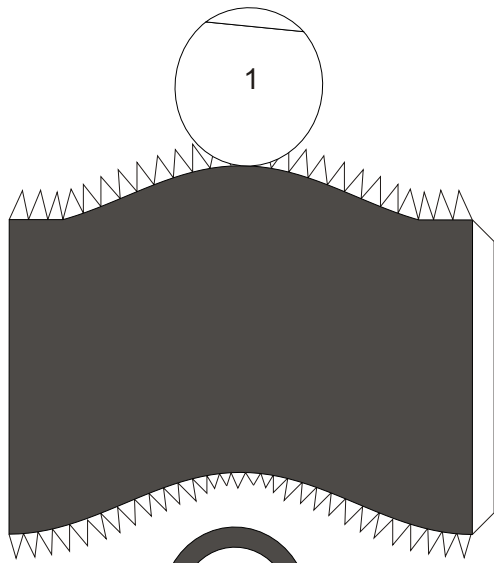


Finished build by Chris  
"Rhaven Blaack" Tucker:

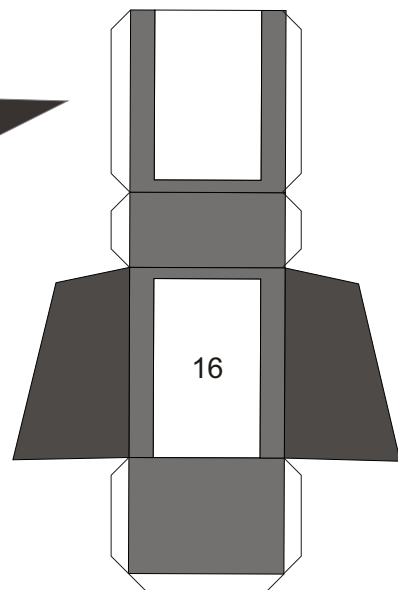
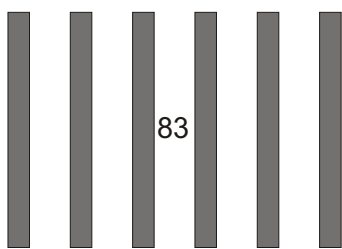
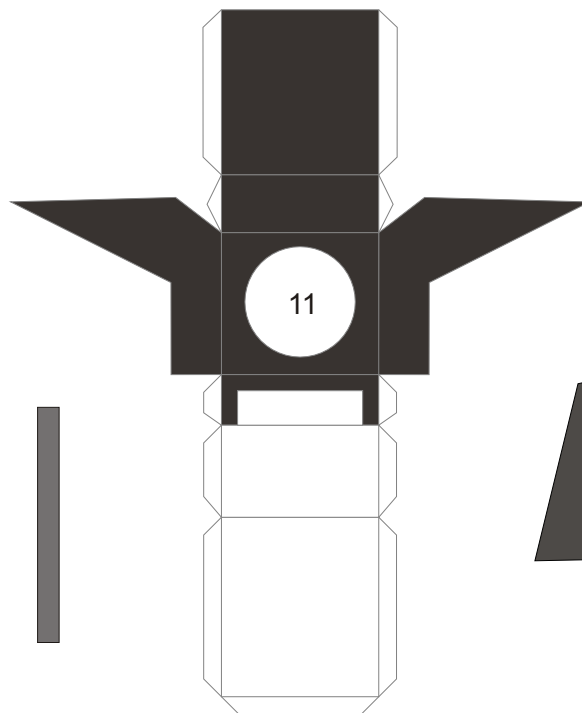
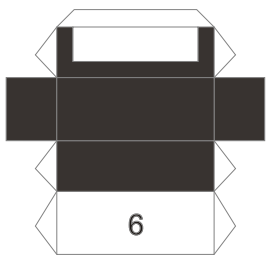
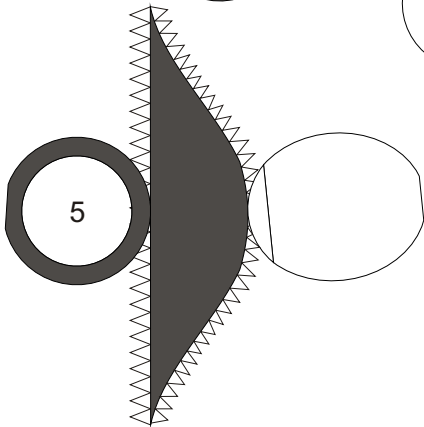


**Done!**

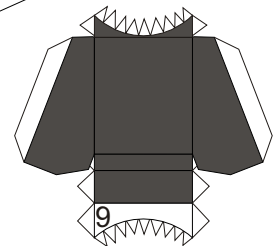
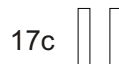
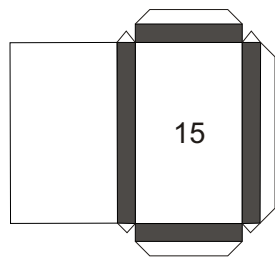
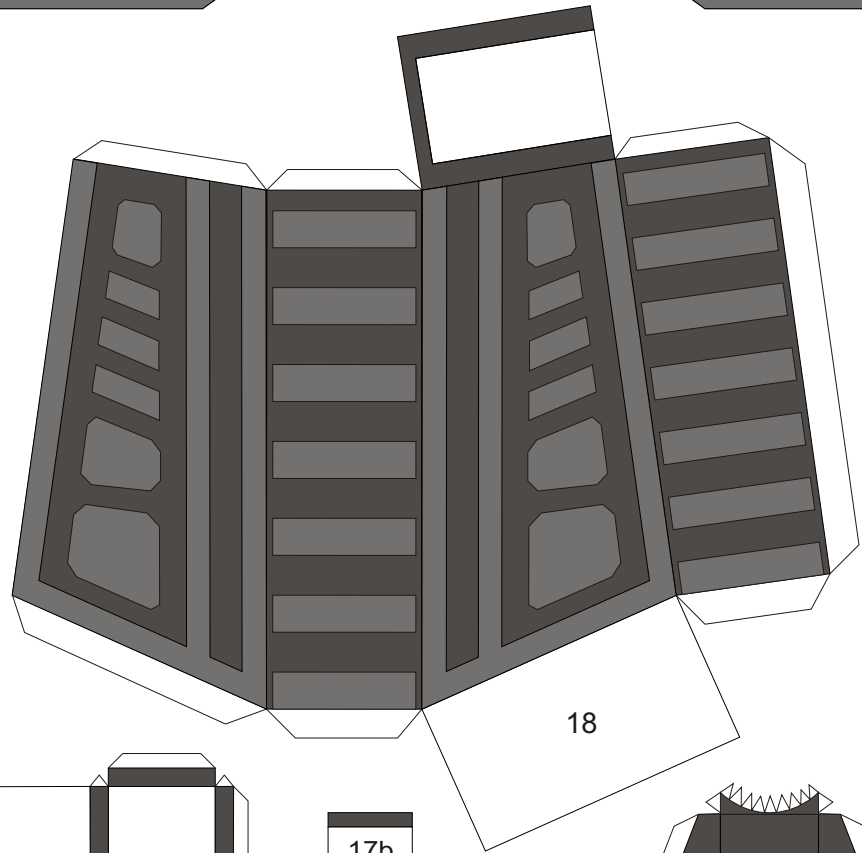
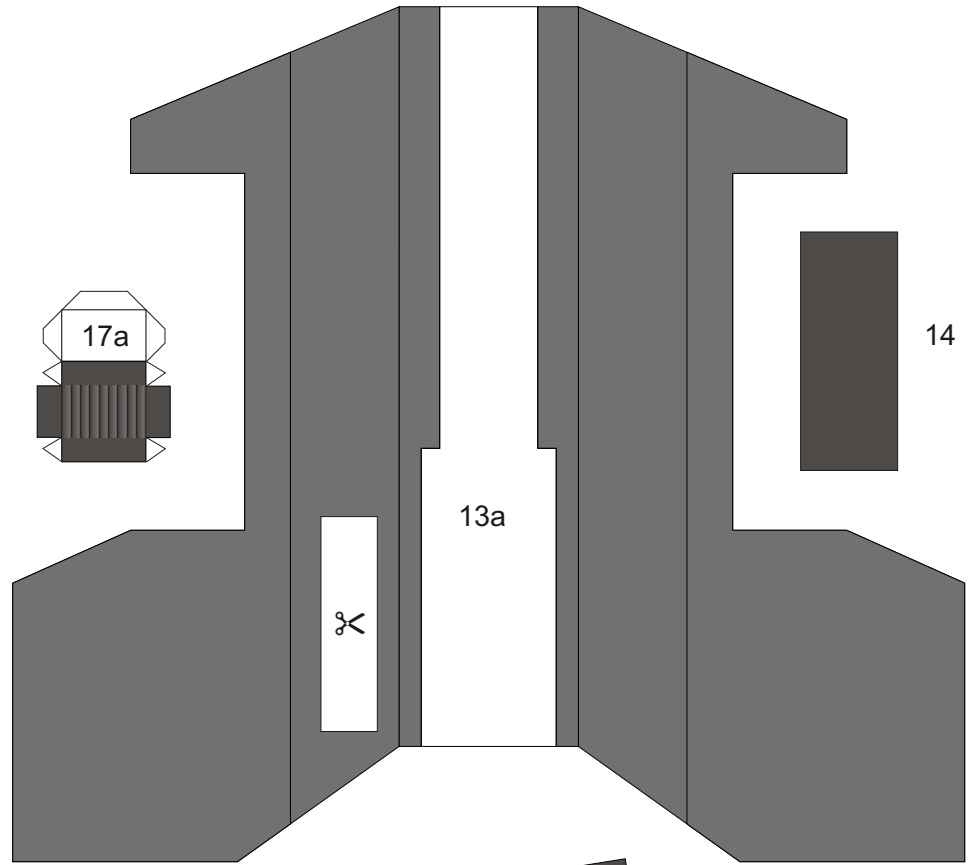
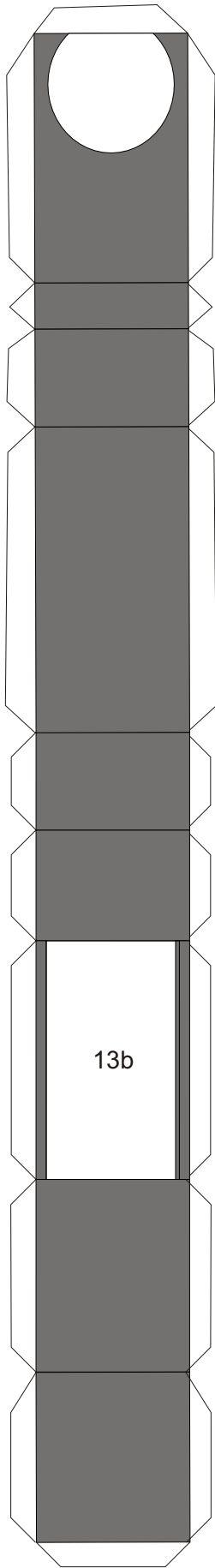
# Parts



10a



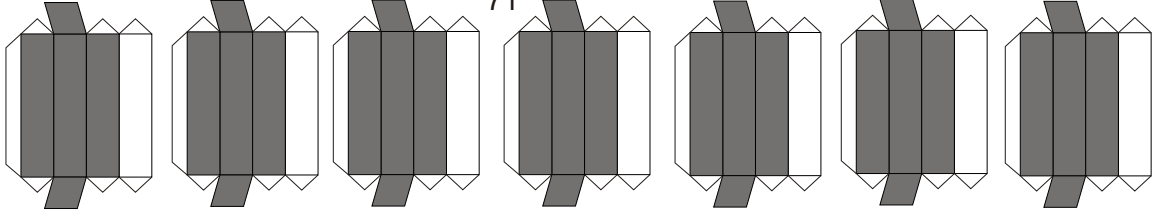
16



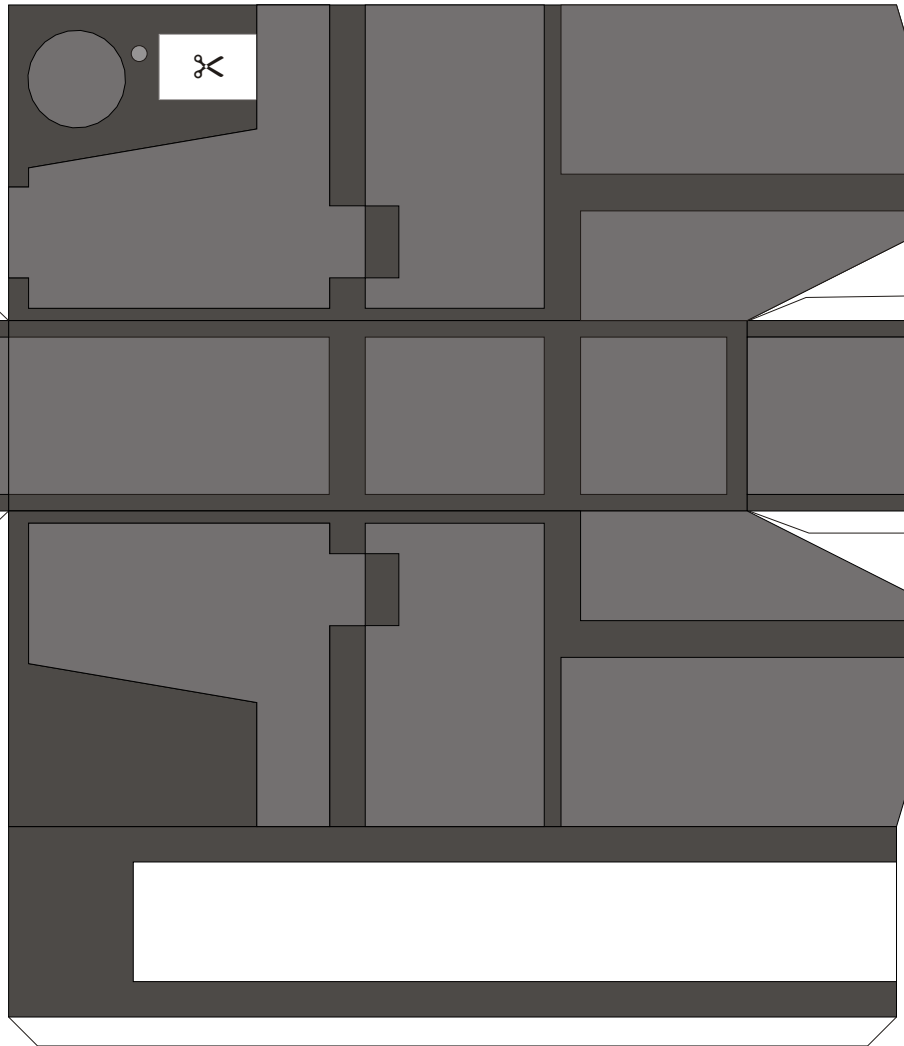


ribs back

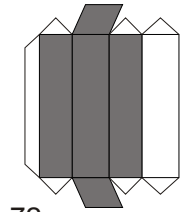
71



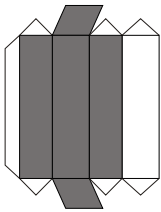
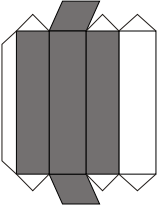
24a



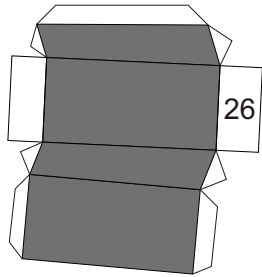
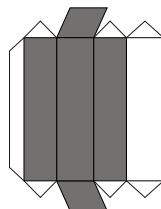
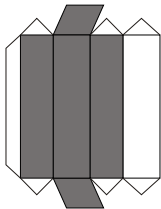
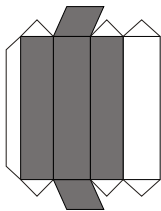
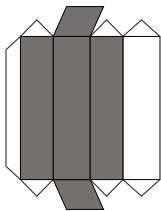
24



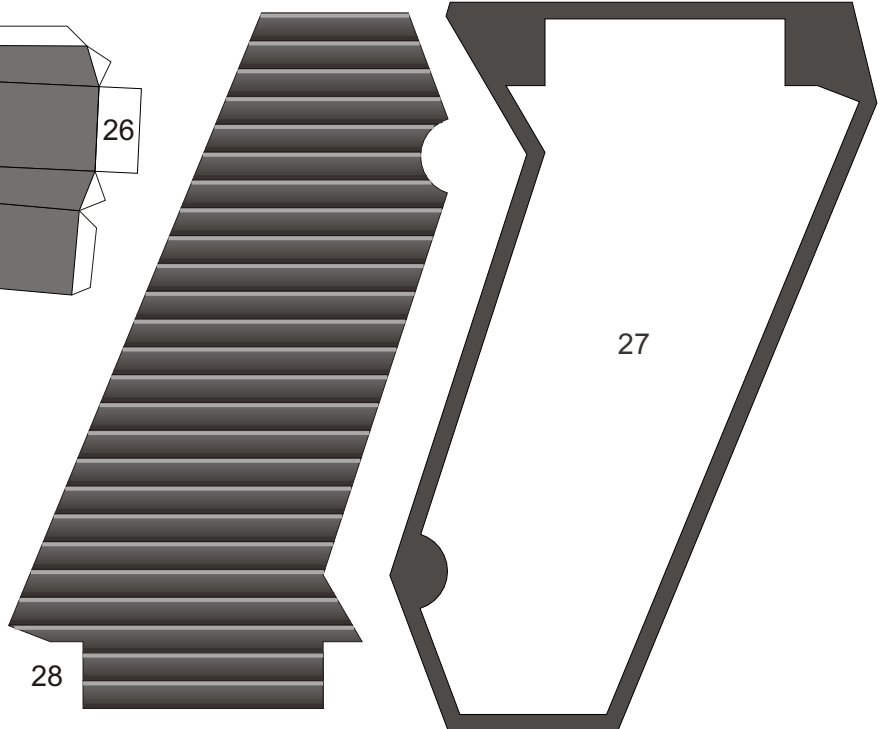
72



ribs front

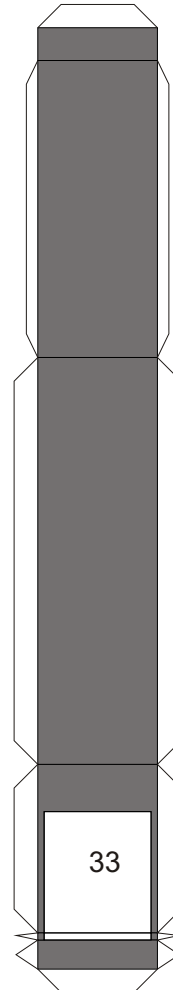
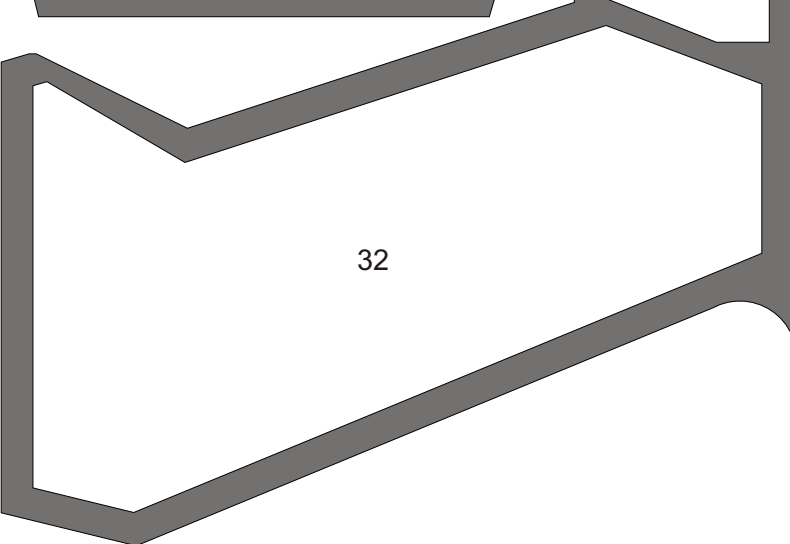
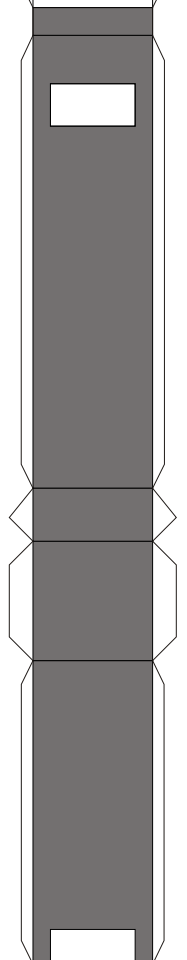
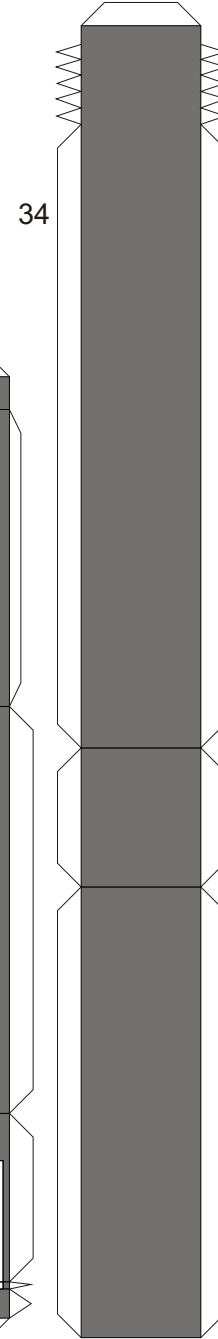
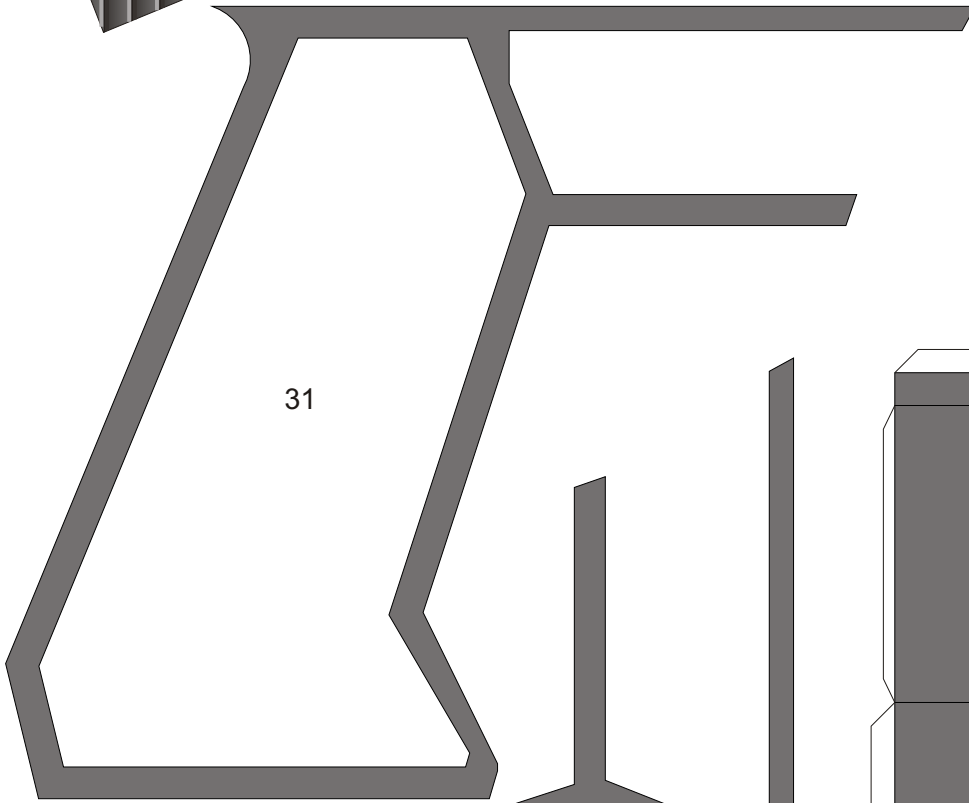
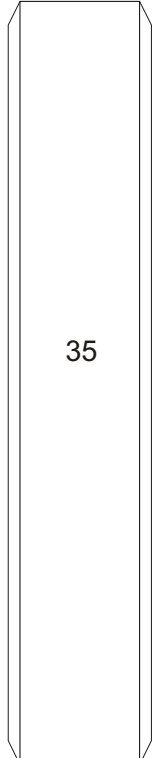
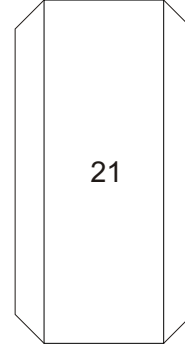
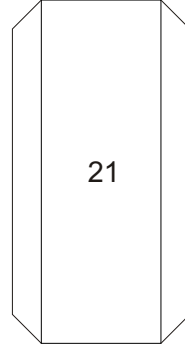
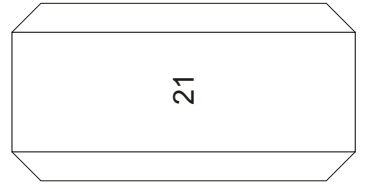
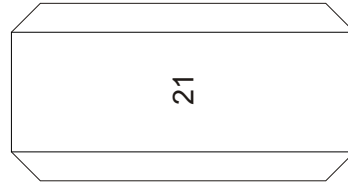
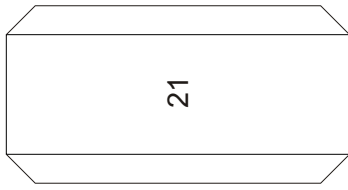
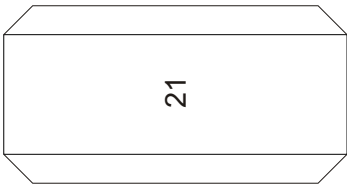


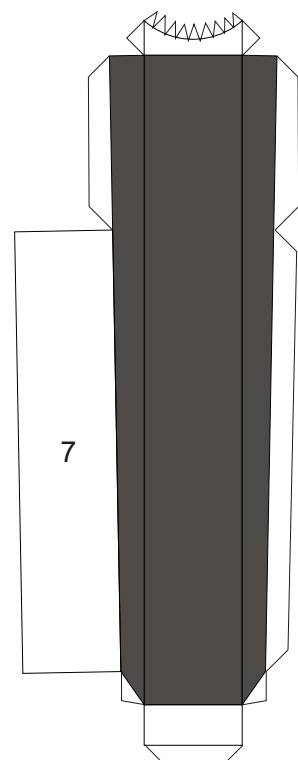
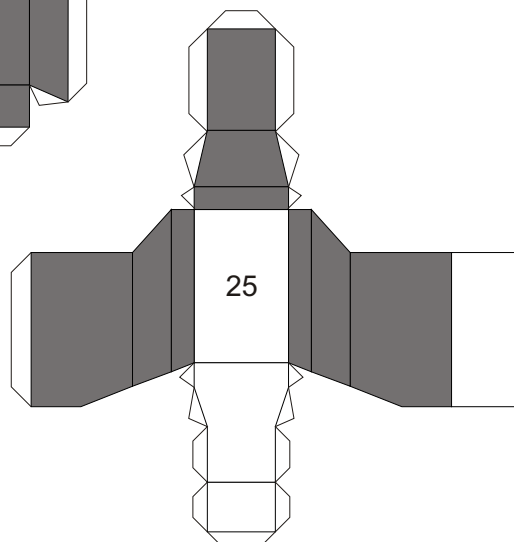
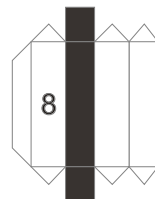
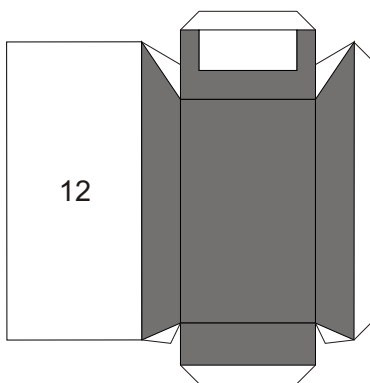
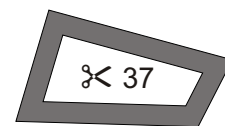
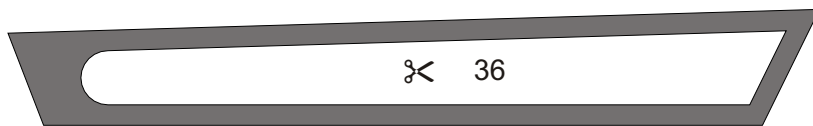
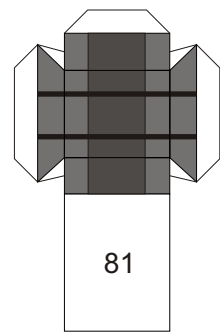
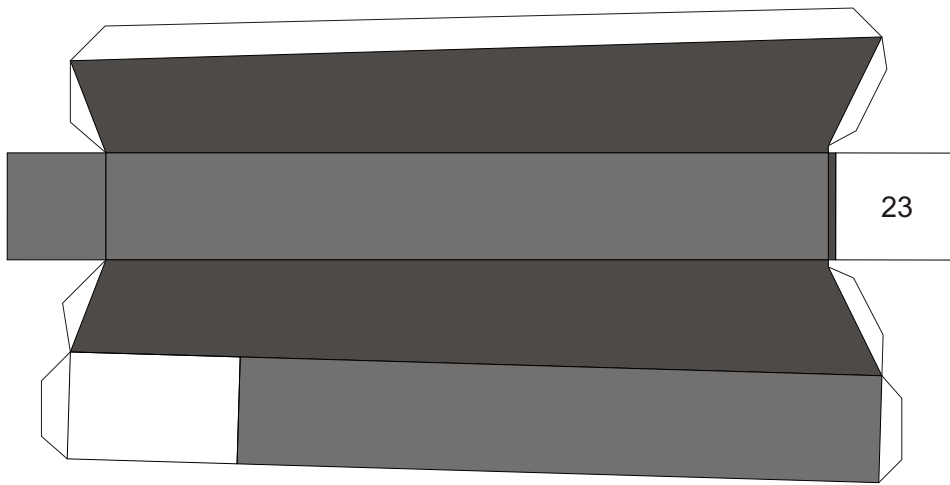
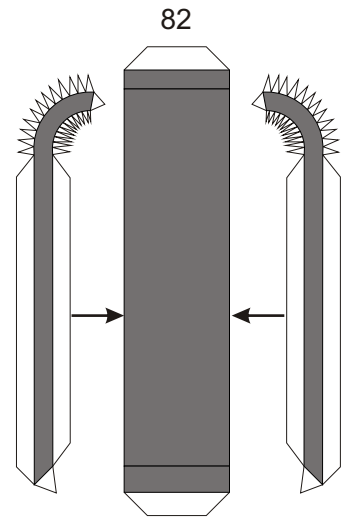
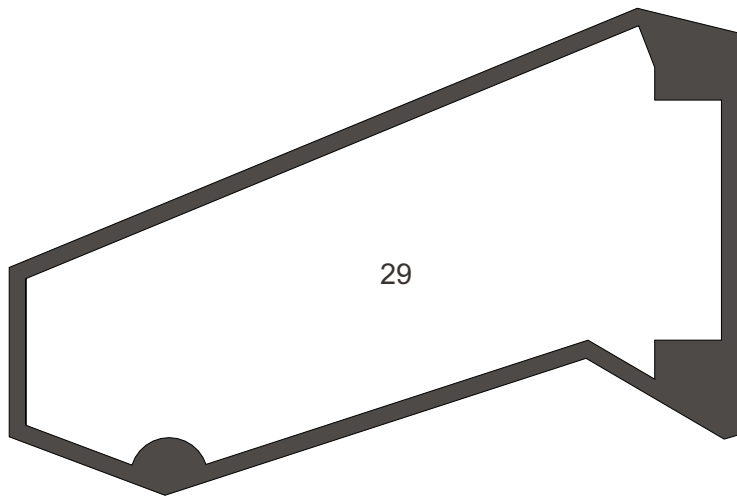
26

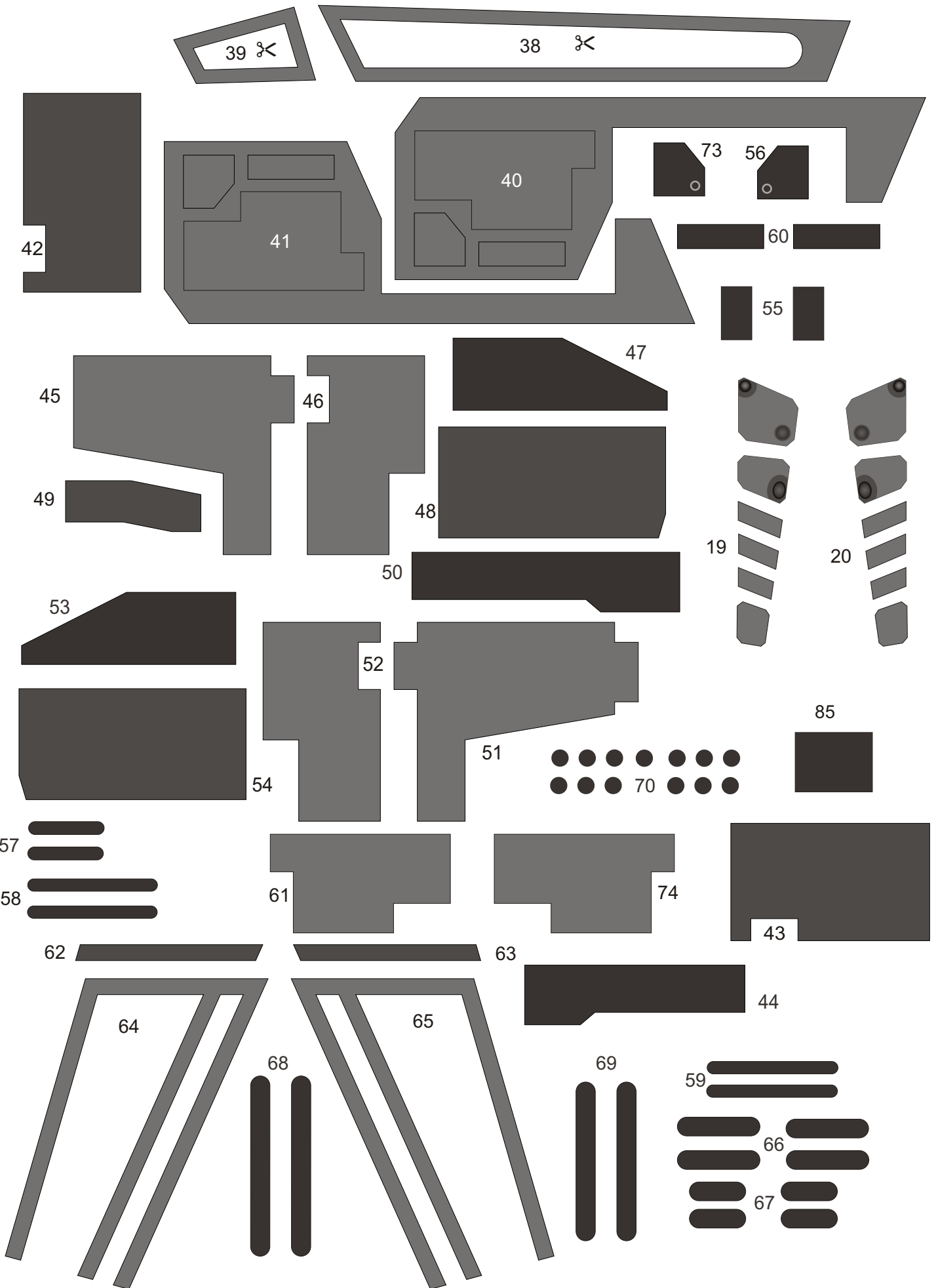


27

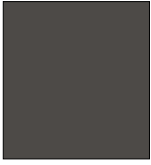
28







75



76



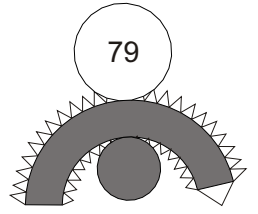
77



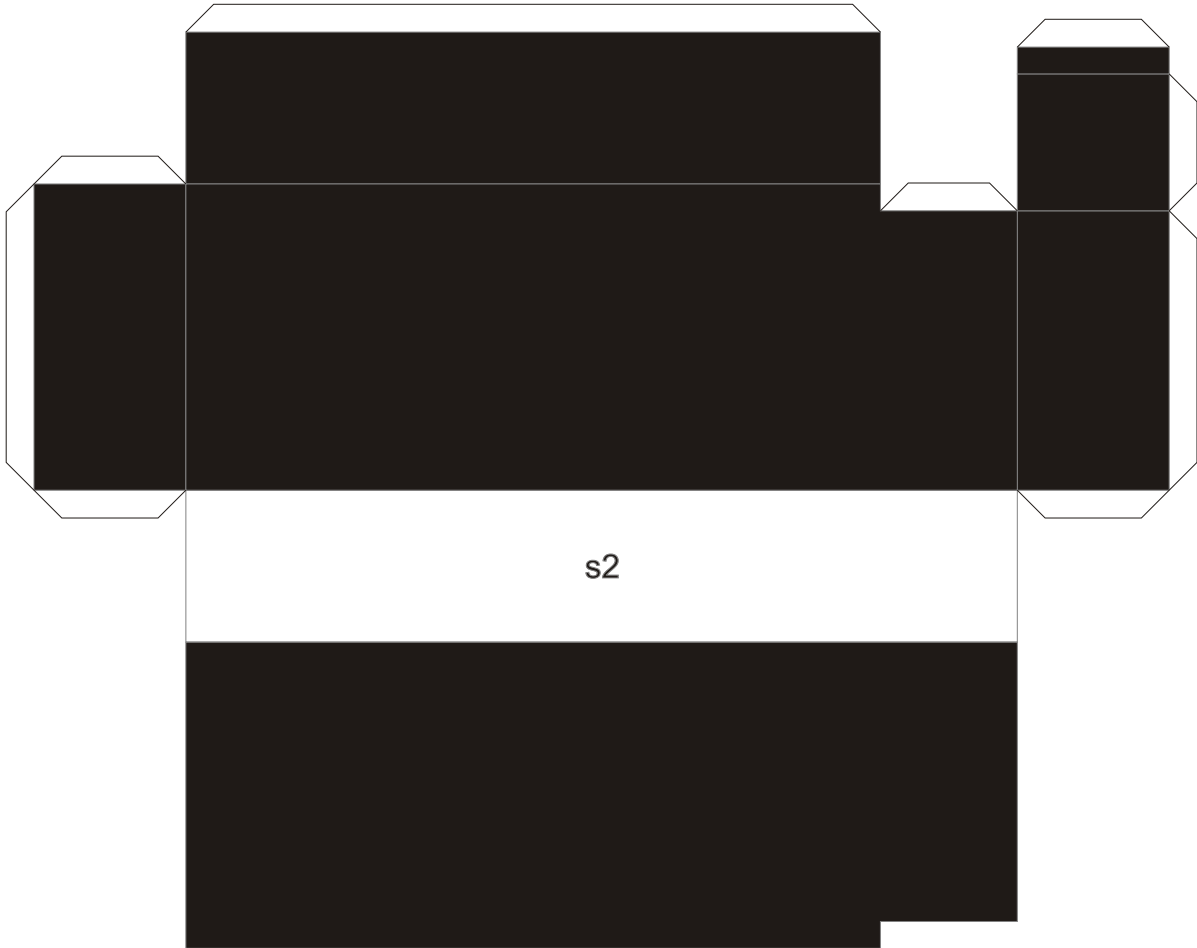
78



79

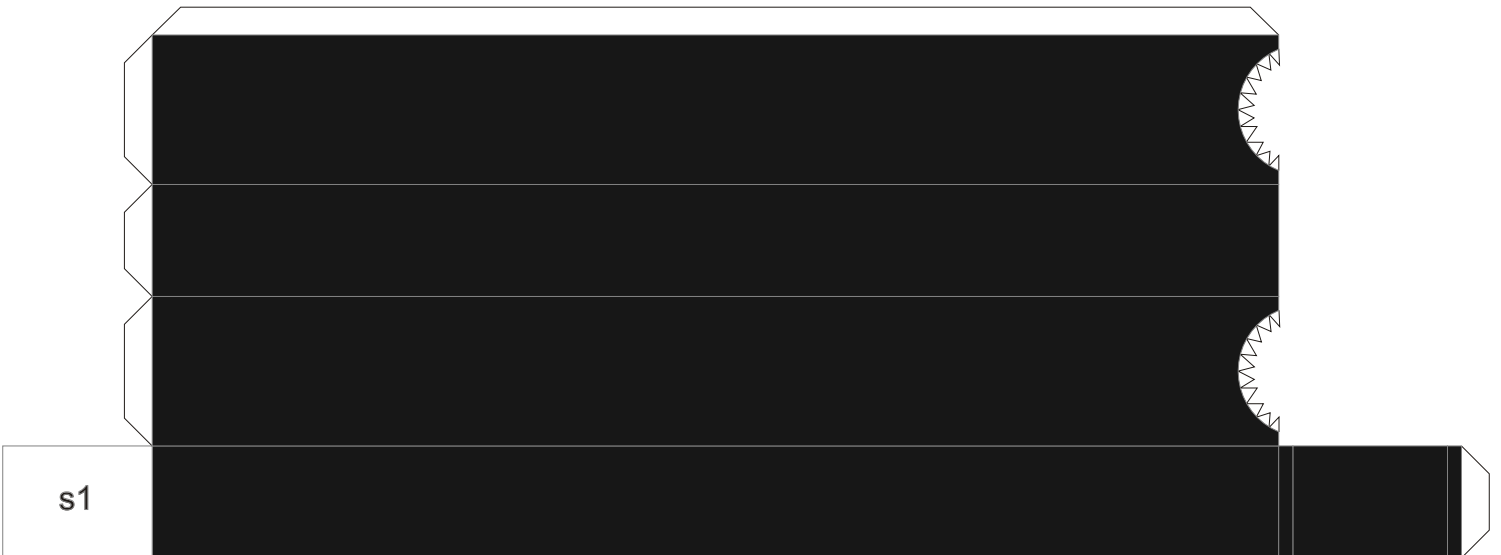


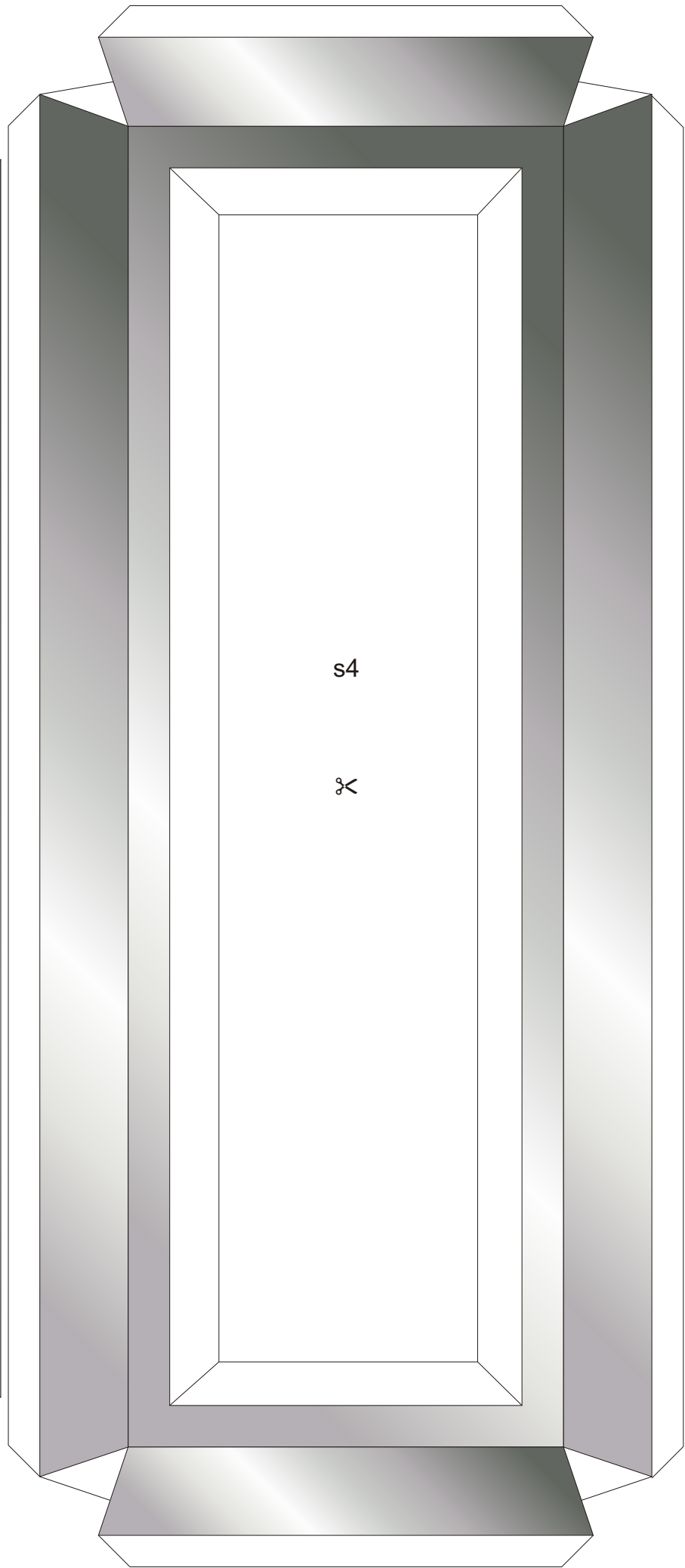
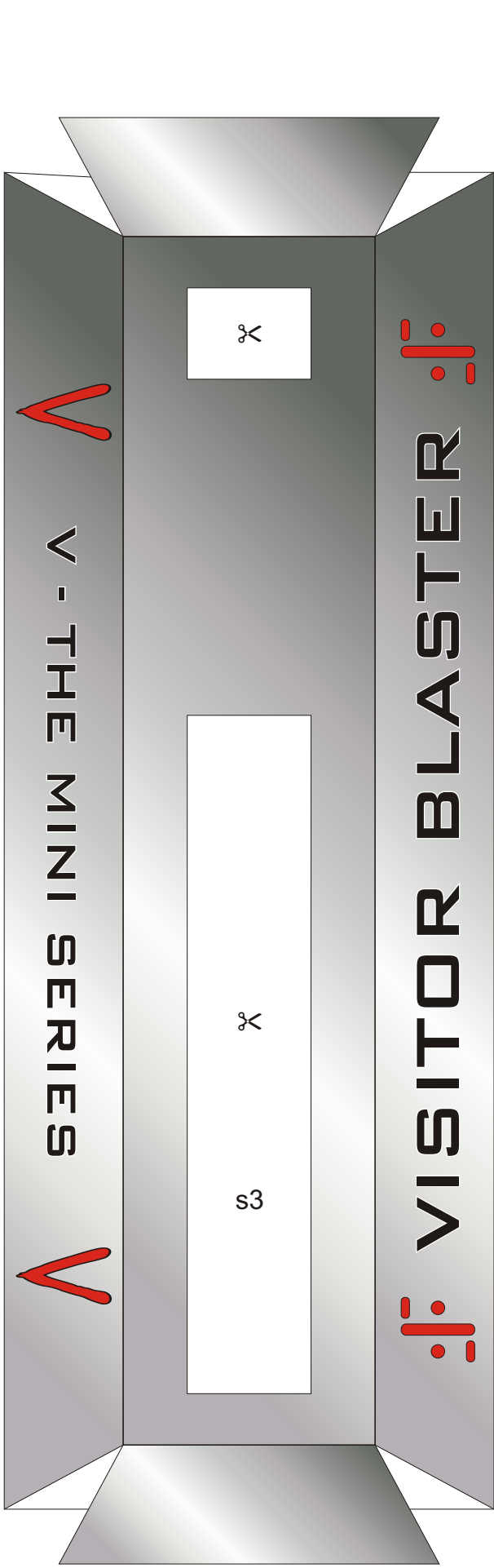
80

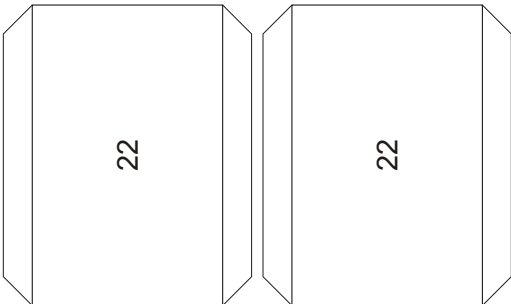
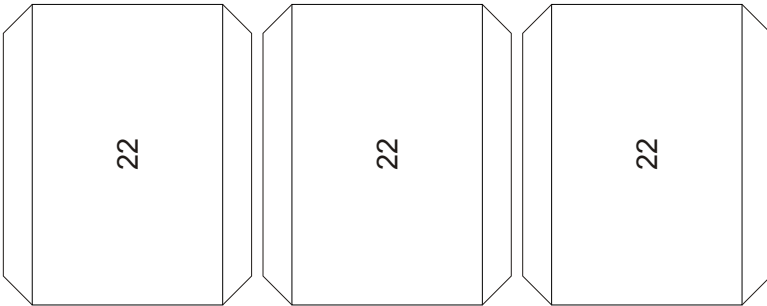
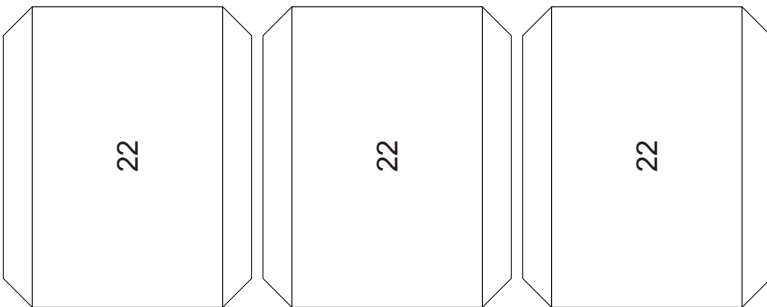
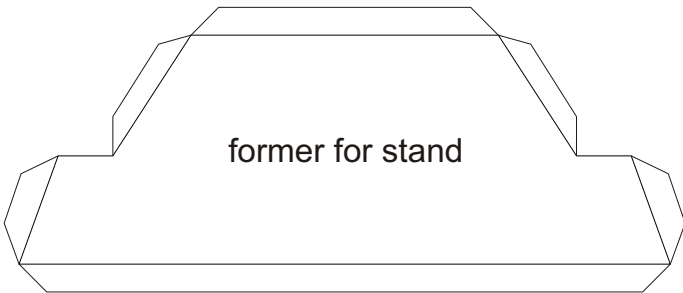
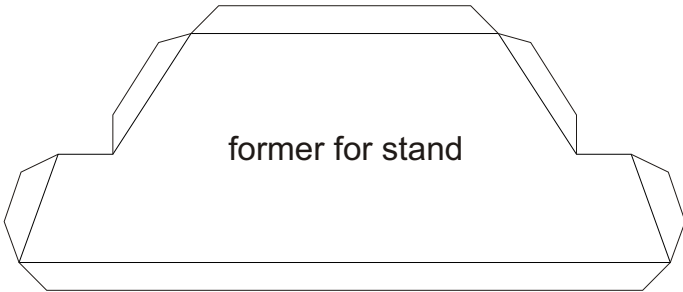
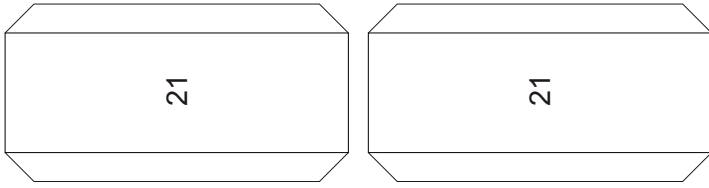


s2

s1







Paper model © 2012 created by  
Marcell "Revell-Fan" von dem Berge  
in association with  
Chris "Rhaven Blaack" Tucker.  
"V - The Mini Series" © and ™ Warner Bros.  
No commercial use. No infringement intended.  
Have fun and enjoy!